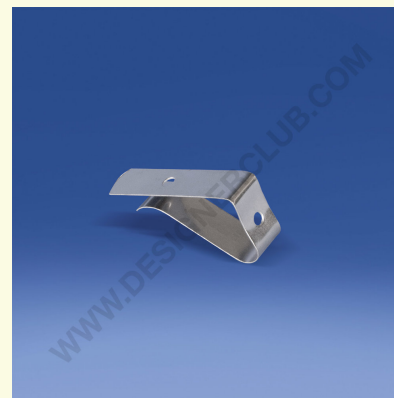
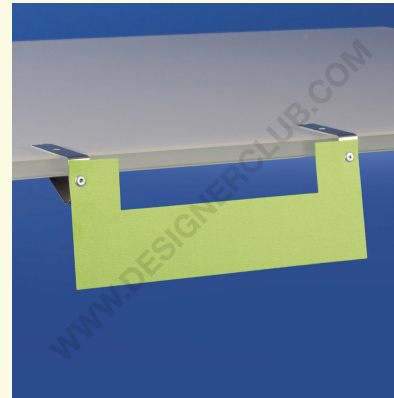
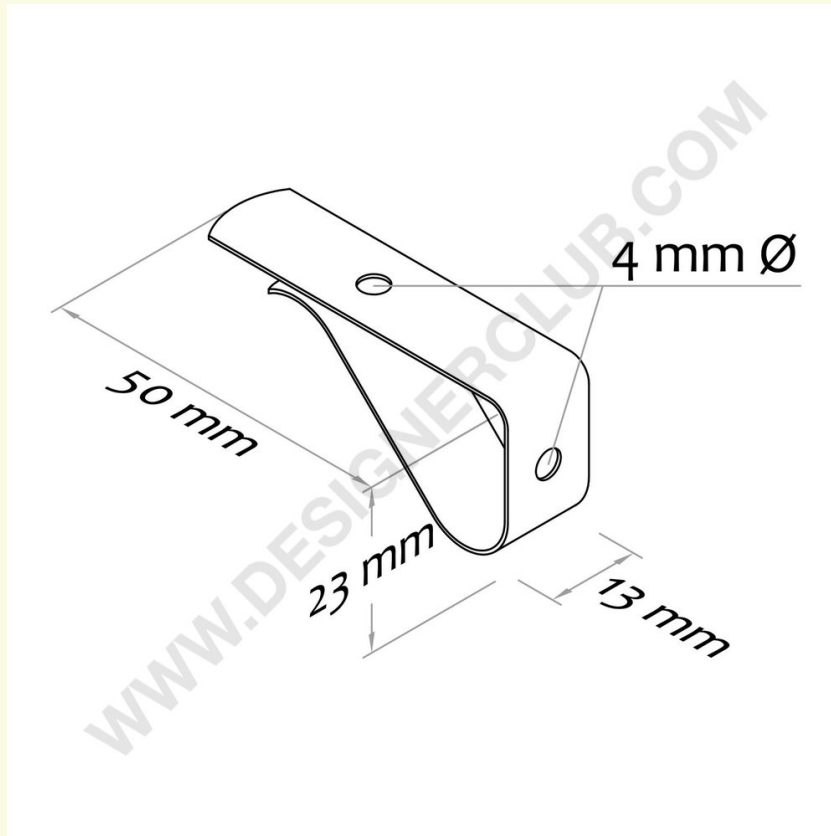


Datasheet

REF: 421 120
Metal clip for shelves

Metal clip for shelves with thickness from 12 to 25 mm. It is possible to rivet any kind of support through the hole.



+39 0332 455 360 www.designerclub.com commerciale@designerclub.com
Designer Club S.R.L. Via 2 Giugno 28, 21022, Azzate (VA) , Italy

Designer Club reserves the right to change specifications and dimensions of products without notice, except for errors or omissions. Copyright Designer Club s.r.l. 2023.