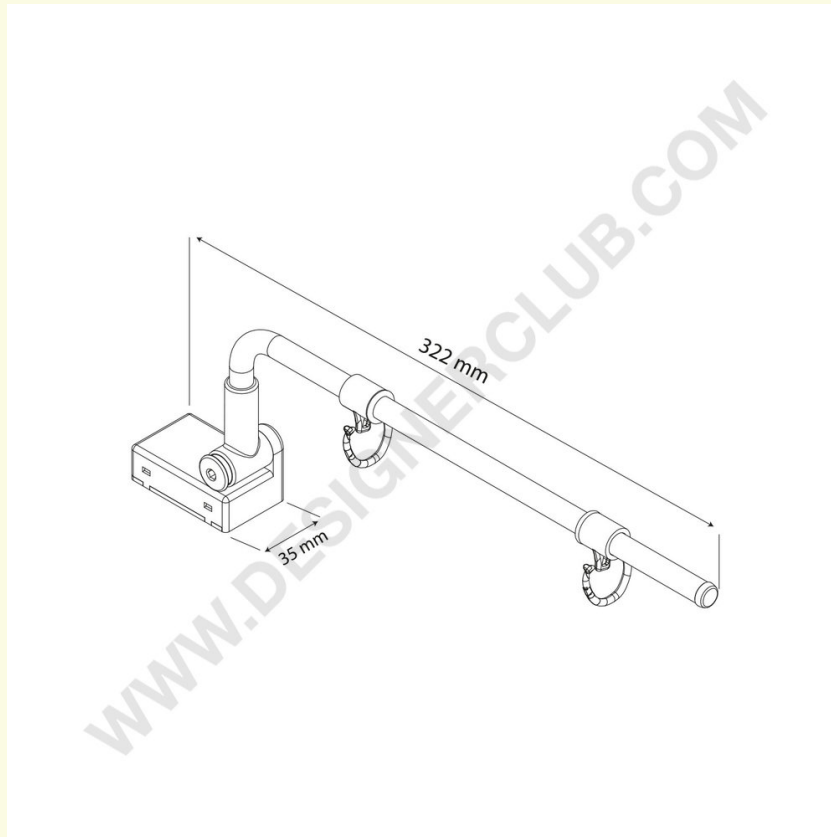


## Datasheet

**REF: 409 206**

**Magnetic banner holder multi-position - two ring hooks**

Magnetic banner holder that can be positioned above or below the shelf or on a wall. Multi-positions, orientable from 0° to 180°. Reinforced magnet.  
Diameter tube mm. 10. Length mm. 322.



+39 0332 455 360      [www.designerclub.com](http://www.designerclub.com)      [commerciale@designerclub.com](mailto:commerciale@designerclub.com)  
Designer Club S.R.L. Via 2 Giugno 28, 21022, Azzate (VA), Italy