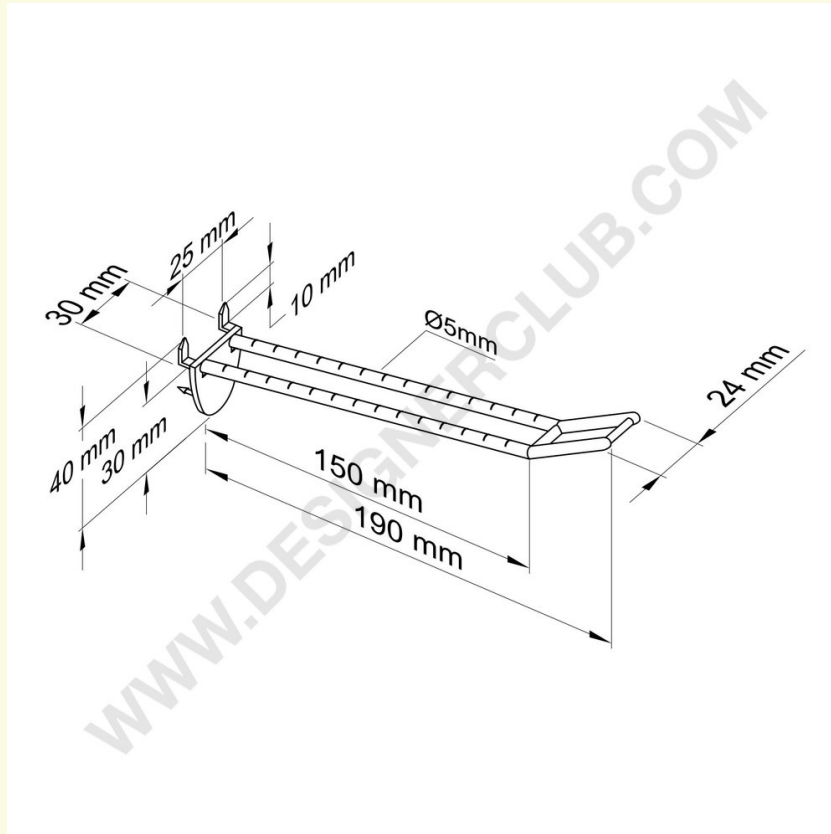


Datasheet

REF: 142 322

Double plastic prong trasparent with automatic hook mm. 150 big price holder

Double prong trasparent with automatic insertion hook mm. 150 with small price holder clip.



+39 0332 455 360 www.designerclub.com commerciale@designerclub.com
Designer Club S.R.L. Via 2 Giugno 28, 21022, Azzate (VA) , Italy

Designer Club reserves the right to change specifications and dimensions of products without notice, except for errors or omissions. Copyright Designer Club s.r.l. 2023.