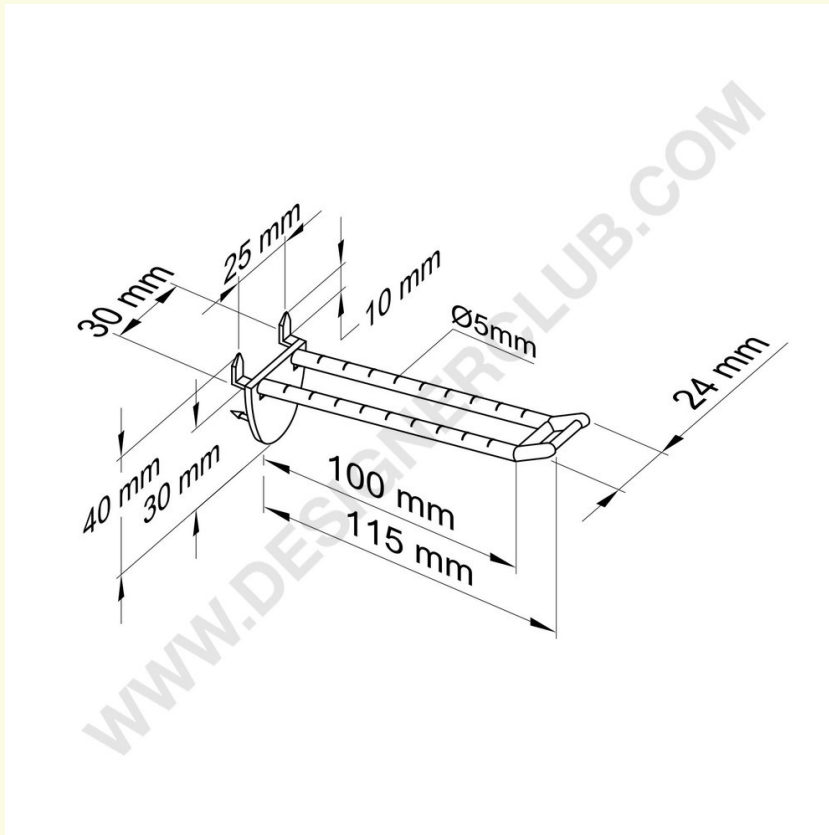


## Datasheet

**REF: 142 121**

**Double plastic prong transparent with automatic hook mm. 100 small price holder**

Double prong transparent with automatic insertion hook mm. 100 with small price holder clip.



+39 0332 455 360      [www.designerclub.com](http://www.designerclub.com)      [commerciale@designerclub.com](mailto:commerciale@designerclub.com)  
Designer Club S.R.L. Via 2 Giugno 28, 21022, Azzate (VA) , Italy