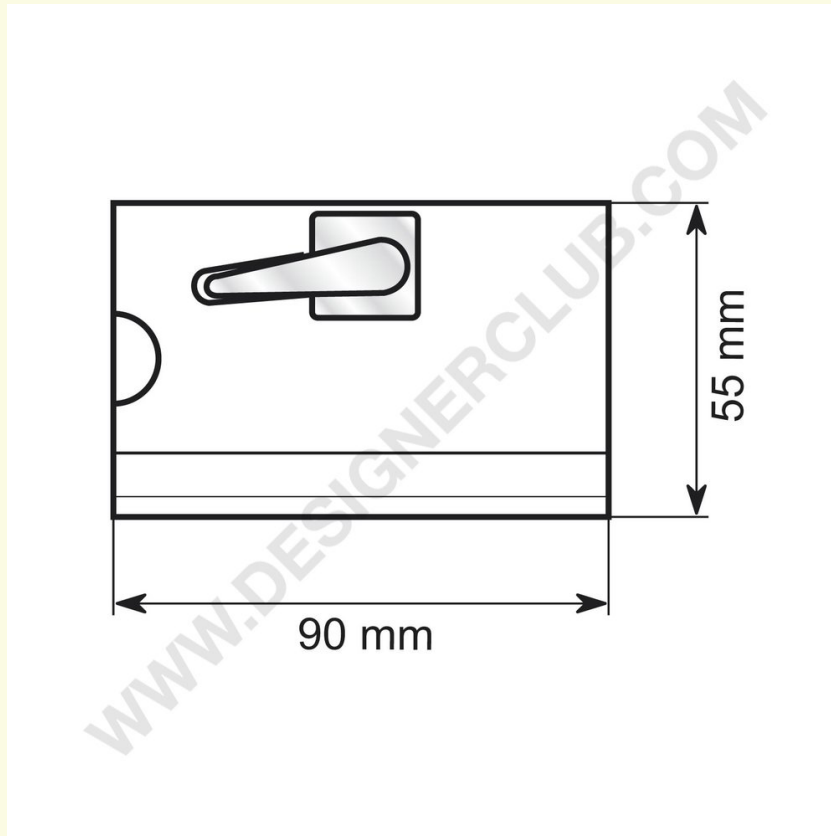


Datasheet

REF: 111 721
Name badge with turning metal clip

Name badge with turning metal clip, sizes 90x55 mm. lateral side open. The metal clip can be turned into double position (2 ways).



+39 0332 455 360 www.designerclub.com commerciale@designerclub.com
Designer Club S.R.L. Via 2 Giugno 28, 21022, Azzate (VA), Italy