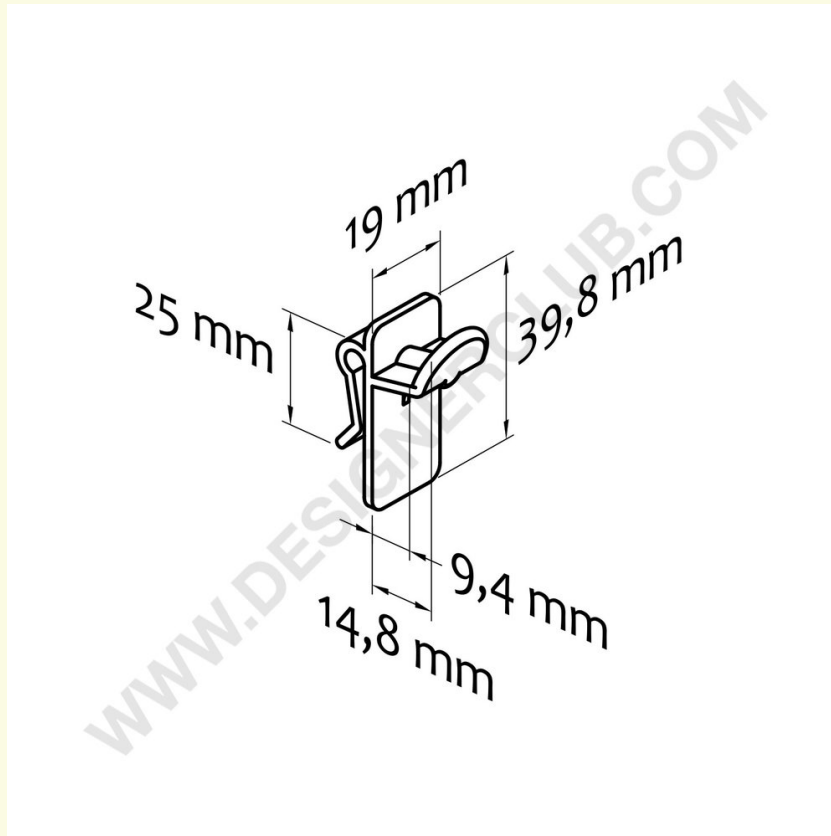


## Datenblatt

**REF: 111 801**  
Universal breite weiße Zacken mm. 10

Universeller breiter Zacken weiß mm. 10. Farbe schwarz: ref. 111 750 Transparente Farbe: Ref. 113 110.



+39 0332 455 360      [www.designerclub.com](http://www.designerclub.com)      [commerciale@designerclub.com](mailto:commerciale@designerclub.com)  
Designer Club S.R.L. Via 2 Giugno 28, 21022, Azzate (VA) , Italy